

Framing Basics 2

Dave Hermon
Russ Root
Stephen Seybold
Stephen Capuyan

March 2019

Agenda

- 🏠 Blocking – Kitchen and ADA
- 🏠 HVAC
- 🏠 Deadwood
- 🏠 Attic Access
- 🏠 Marking studs
- 🏠 Sheathing walls
- 🏠 Sheathing gables
- 🏠 Blue Board
- 🏠 Brick Ties

Blocking (Kitchen and ADA)

🏠 With all Blocking

- 🏠 Verify location
- 🏠 Non-finger jointed lumber
- 🏠 Use wide side of the block so it's flush with interior face of the studs
- 🏠 Attach using 2-12d nails on each side of blocks
- 🏠 “toe nail” when needed.

Blocking cont.

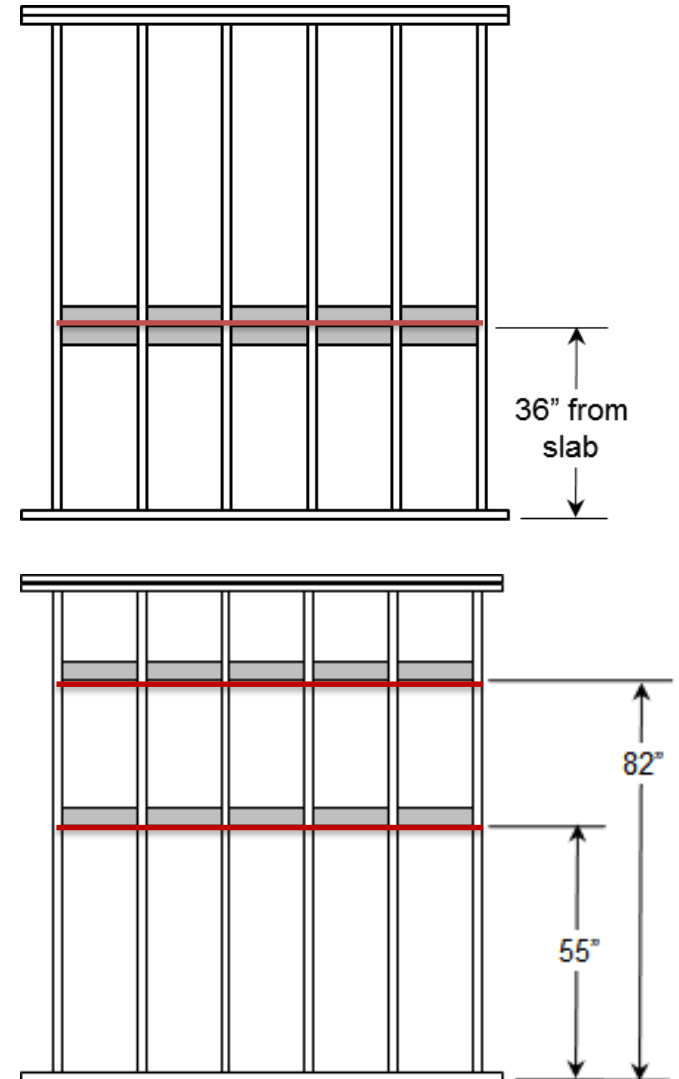
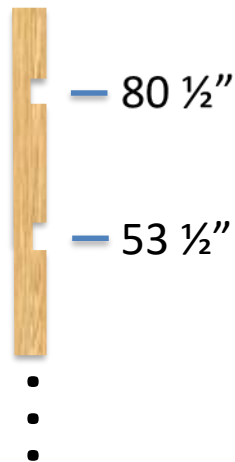
🏠 Bathroom

🏠 Jig cut to 31" helps install

🏠 Kitchen

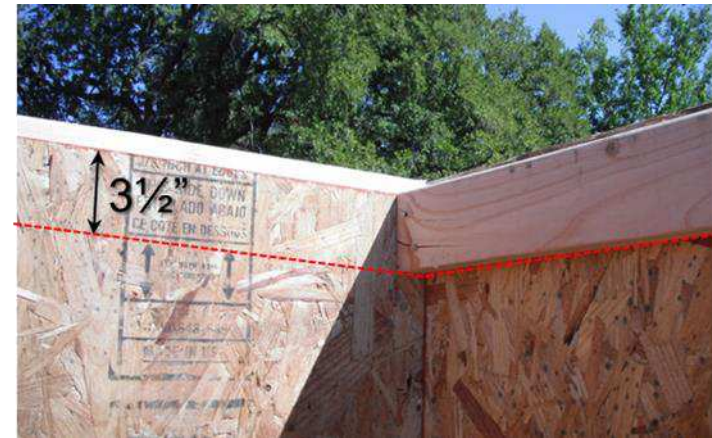
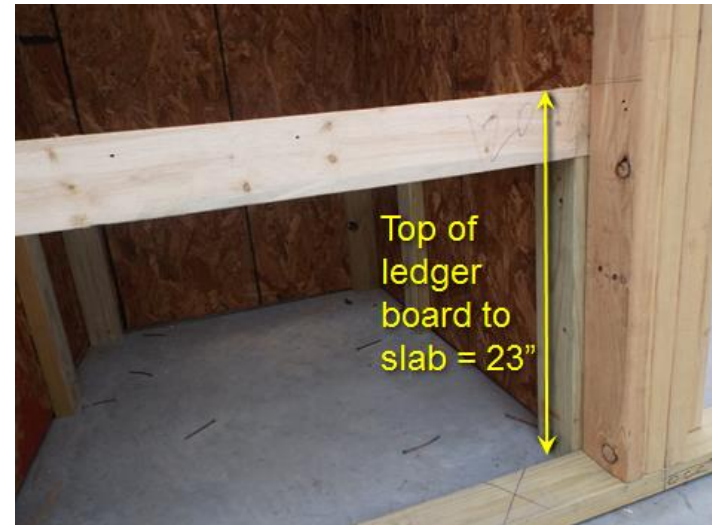
🏠 Jigs cut at 53 ½" and 80 ½"

🏠 Simple jig:



HVAC Closet

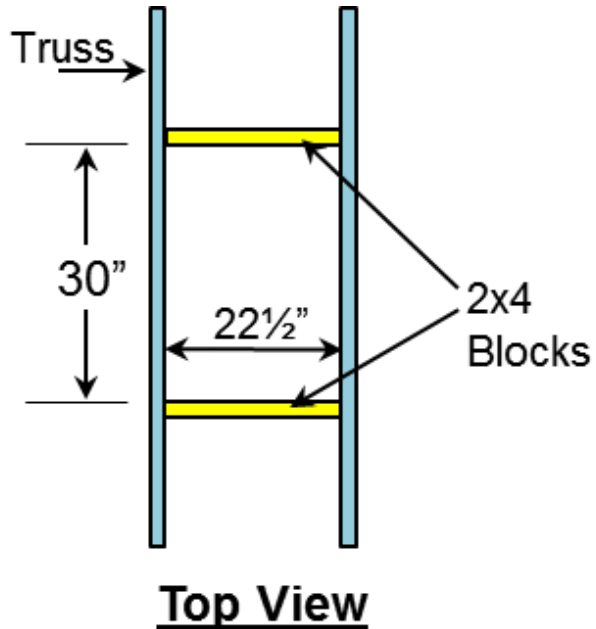
- 🏠 Do not install until after walls are strung and braced.
- 🏠 Prior to sheathing, be sure there are studs for nailers on all corners.
- 🏠 Don't rest OSB on ground
- 🏠 Do not nail down deck, install before trusses go up.
- 🏠 Caulk vertical and horizontal seams under the ledger boards





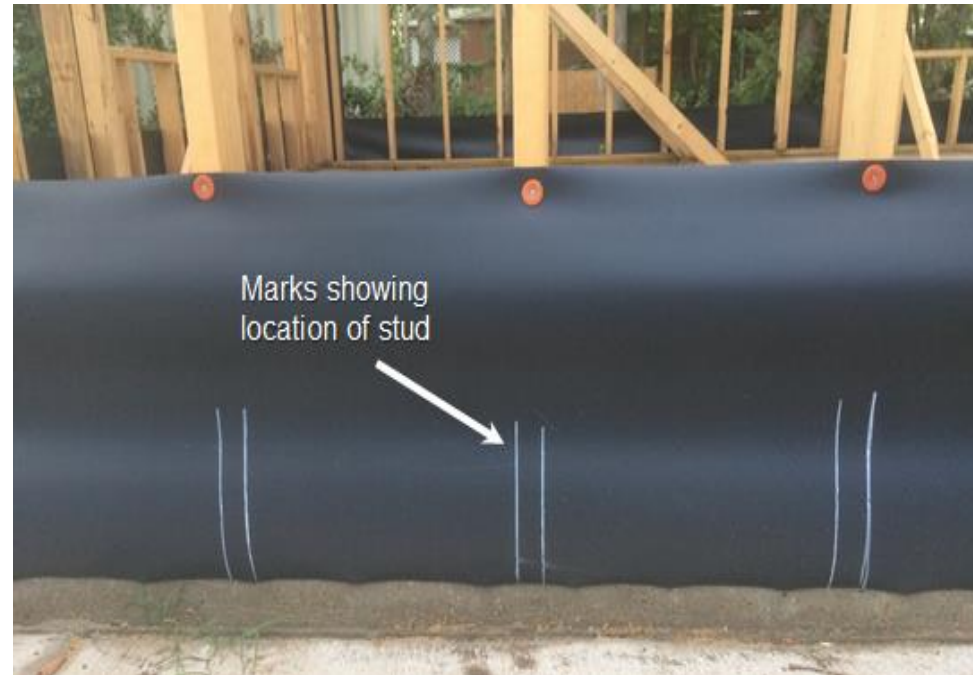
- 🏠 On walls parallel to trusses
- 🏠 non-finger jointed wood at least 12in long
- 🏠 Nail every 8-12"; use at least 3 nails
- 🏠 No more than 3 inches between pieces.
- 🏠 Cover corners

Attic Access



Marking stud locations

- 🏠 Mark cap plate and polybarrier
- 🏠 Mark over blue board
- 🏠 Used for nail placement for brick ties/siding



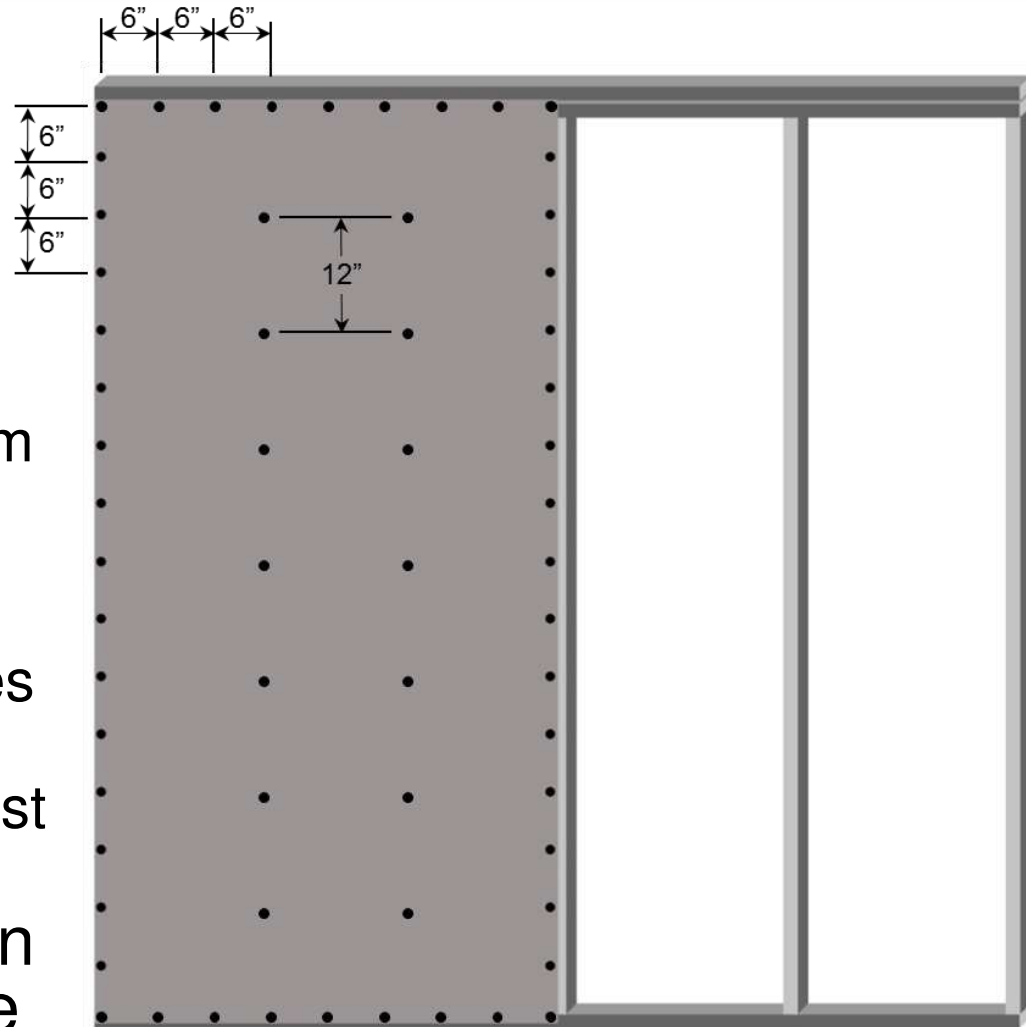
Marking stud locations/OSB guide

- 🏠 Measure 1" from top of cap plate on the corner of exterior walls
- 🏠 Snap a line
- 🏠 12d nail on center of each stud on the chalk line
- 🏠 Don't pull nails*



Sheathing

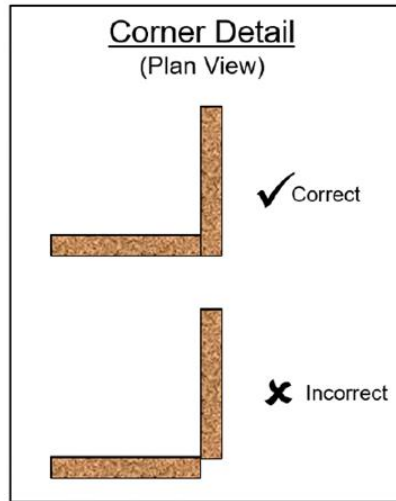
- 🏠 Sheathing walls:
 - 🏠 Installed vertically
 - 🏠 Start with full sheet from the corner
 - 🏠 8d nails no more than every 6 inches on perimeter and 12 inches in field
 - 🏠 Do not allow OSB to rest on slab at porches
- 🏠 Place 8d nails between panels to create space



Sheathing Walls – Shear Walls



Figure 6-1. Use Full Sheets of Sheathing at Corners



🏠 Full panels on all shear walls:

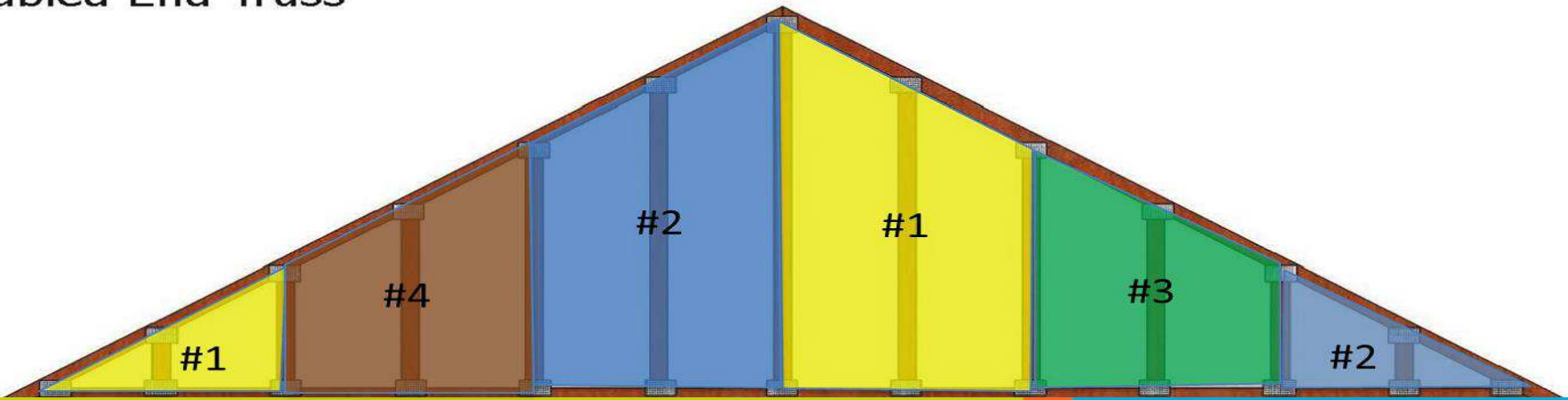
- 🏠 All corners
- 🏠 garage wall
- 🏠 front door



Sheathing gables

- 🏠 All sheathing installed vertically
- 🏠 Measure king post from bottom of the gable to the peak
- 🏠 Transfer measurement over to OSB using correct pitch.
- 🏠 8d nails, no more than every 6" on perimeter and 12" in the field
- 🏠 Repeat on successive sheets

Gabled End Truss



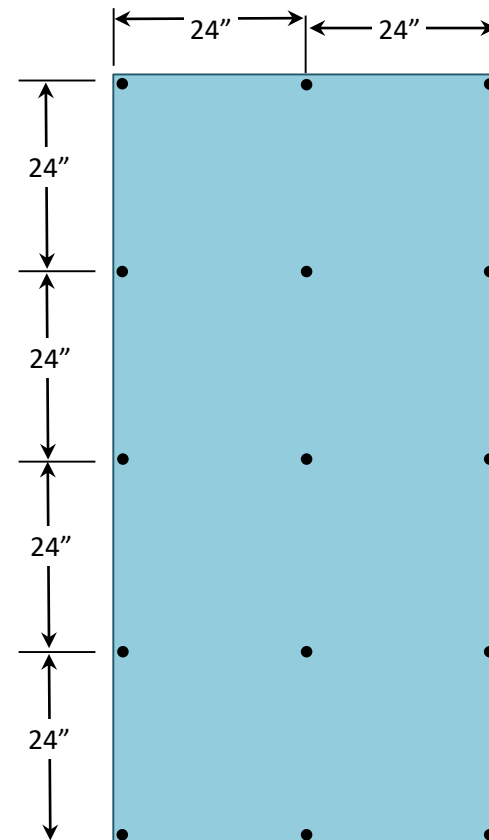
Blue board/Wrap Porch Gable

🏠 Blue board

- 🏠 Install vertically
- 🏠 Letters facing out and up
- 🏠 Off-set blue board by 2' from sheathing seam, do not install seam on seam.
- 🏠 Use roofing nails
- 🏠 3 columns of 5 nails
- 🏠 Nail 2" from edges, leave room for tape

🏠 Housewrap

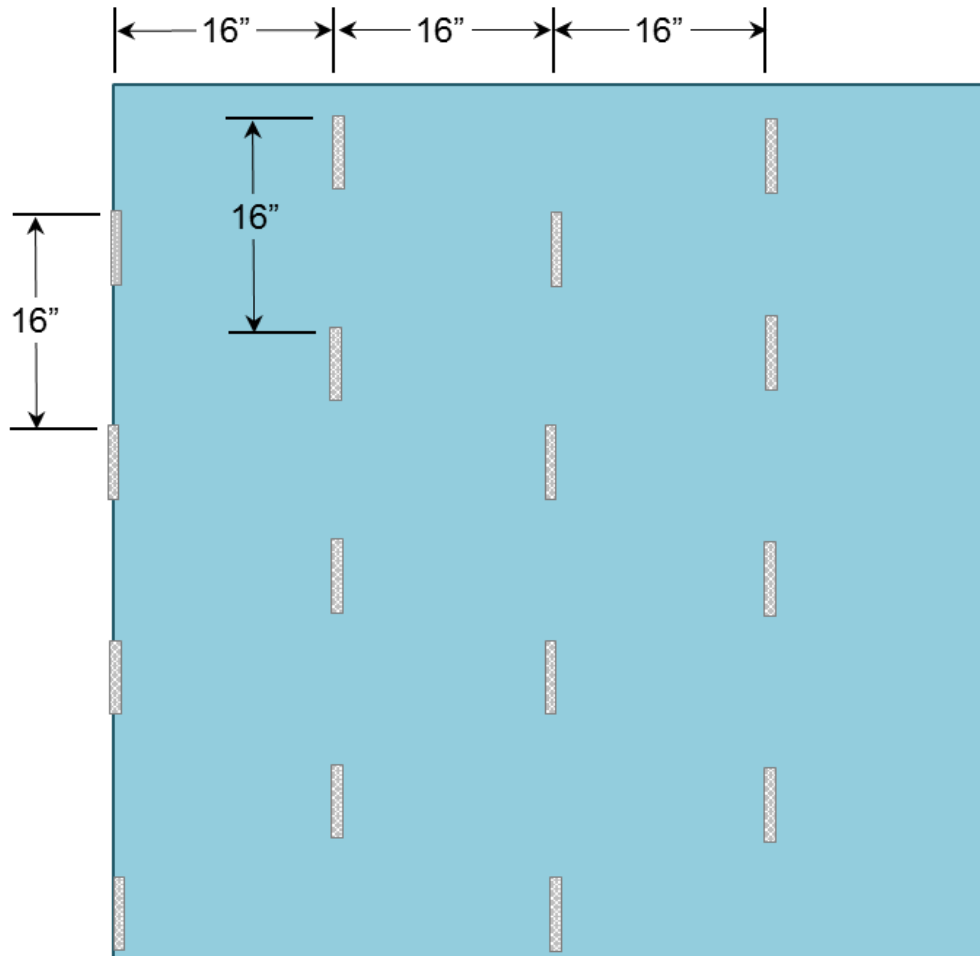
- 🏠 Secure with button caps



Brick ties

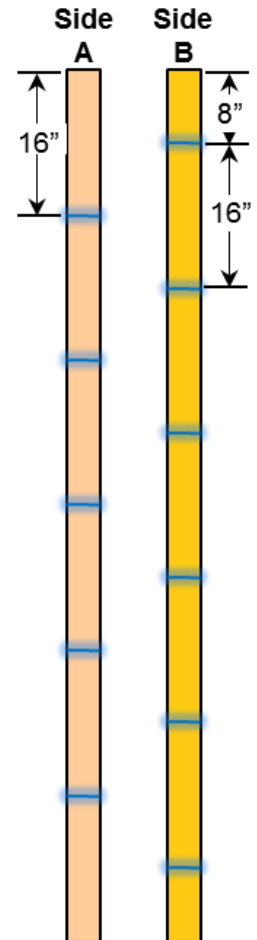


Attach to wall with an 8d nail in the top hole



*Nail into studs

"Story Board"



Questions?

Wall Issues/Solutions:

🏠 Wall is short

- 🏠 DO NOT assume snap lines are correct.
- 🏠 Verify wall/bottom plate or top plate is short compared to floorplan.
- 🏠 If wall is 1/2" short, add OSB spacers on either end of wall.
- 🏠 Do not add shims at the corner or end of wall.
- 🏠 Be sure to rip cut OSB less than wall width, typically 3"
- 🏠 Nail to wall using either 8d or 2" roofing nails every foot.
- 🏠 If wall is 1/4" short, install wall

Wall issues/solutions: cont.

🏠 Wall is long

- 🏠 Verify wall/top plate/bottom plate is long

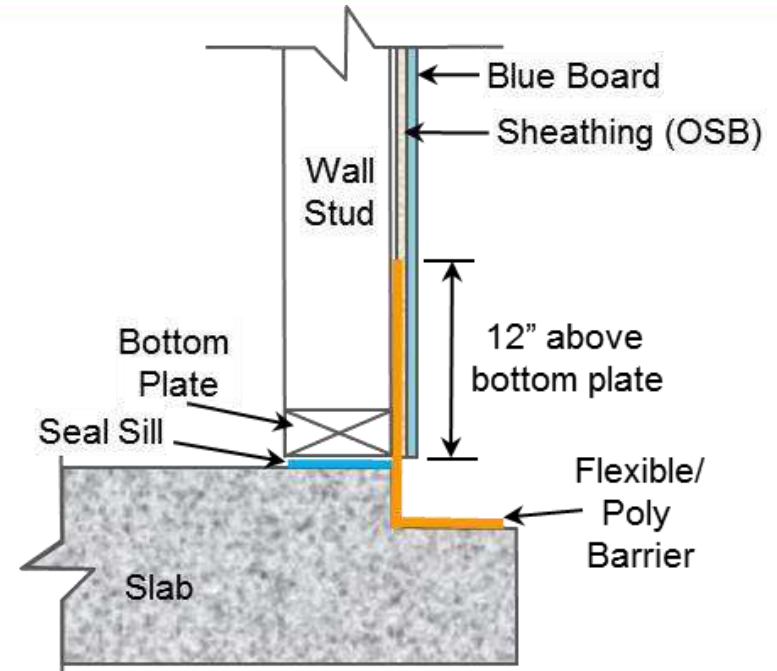
- 🏠 If wall is $\frac{1}{2}$ " long or less

 - 🏠 knock stud into place.

- 🏠 If wall is longer than $\frac{1}{2}$ "

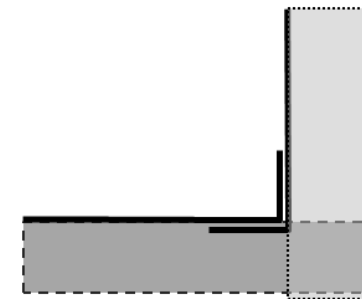
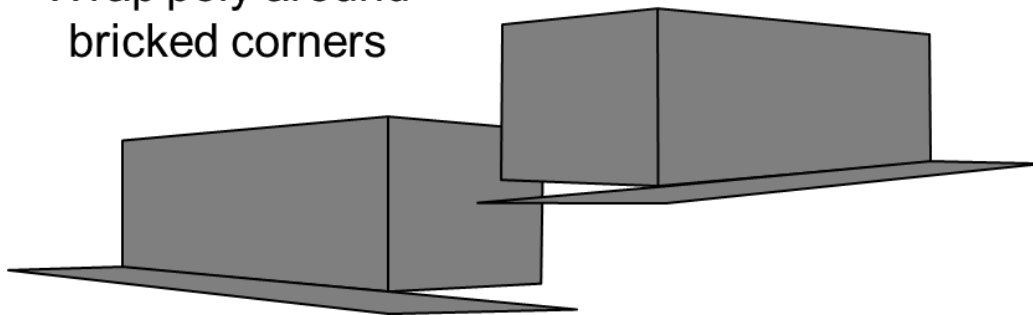
 - 🏠 measure length to cut, remove end component, cut each plate and replace component then install wall.

Brick Flashing



Bricked Wall

Wrap poly around
bricked corners



Top View